



**ReCoila**  
HOSE AND CORD REELS

# HOSE & CABLE MANAGEMENT SYSTEMS

**FIREFIGHTING  
SOLUTIONS**

Strong • Reliable • Safe • Ergonomically sound

# HOSE REELS.

Our total, dedicated business.

We've been making hose reels for decades - over thirty years in fact - and it's this manufacturing wisdom, coupled with competitive pricing, knowledgeable staff, a wealth of technical information on-hand, and solid after-sales service that positions us firmly at the forefront of our industry.

Based in Sydney, ReCoila has a fully equipped production facility and a team of experts to ensure our reels are designed and manufactured to exacting standards.

With a comprehensive range of hose, cord and cable reels and a custom design and manufacturing facility, ReCoila can supply the right reel for your individual application - with safety and productivity in mind.

## EAST COAST MANUFACTURING – LOCAL DISTRIBUTION

ReCoila is a proudly Australian company based in Western Sydney, with distribution reach across Australia and internationally.

We have resellers strategically based in key metro and regional areas to ensure delivery to customers is as swift as possible, and long standing relationships with our national freight carriers mean that logistics are coordinated efficiently.

## AUSTRALIAN MADE + QUALITY IMPORTS = COMPREHENSIVE RANGE

Our range constitutes a wealth of engineered polypropylene and heavy duty steel reels, supplemented with hand-picked reels from some of the world's best quality manufacturers to present a truly comprehensive product portfolio. And, our ability to design and manufacture customised reels in-house means that we're sure to have a reel to suit your needs.





ENGINEERED CONFIDENCE.

IMAGE: CFA STRATEGIC COMMUNICATIONS

# BUILT BY AUSSIES.

Australian made and owned.

ReCoila is proud to be Australian owned, manufacturing hose reels locally at our factory in Kings Park, NSW.

All the hose reels in this catalogue are Australian made, built with accuracy and precision by our steel production team.

Where possible, parts and components are sourced from local suppliers, in turn helping to support other Australian businesses.

ReCoila is fully committed to Australian manufacturing, producing hose reels of the highest quality to be sold across Australia and exported throughout the world.



# CONTENTS

## Reels for firefighting applications

### FIREFIGHTING HOSE REELS

#### T SERIES CUSTOMISED REELS

T SERIES 2012 MODEL - FULLY EQUIPPED	5
T SERIES FEATURES	6
T SERIES OPTIONAL EXTRAS	7

#### T SERIES STANDARD REELS

T SERIES 12VDC MOTOR DRIVEN	8
T SERIES 24VDC MOTOR DRIVEN	8

#### C SERIES STANDARD REELS

C SERIES HAND CRANK	9
C SERIES 12VDC MOTOR DRIVEN	9
C SERIES 24VDC MOTOR DRIVEN	9

### ENGINEERING CAPABILITY 10

### A SAFER WORKPLACE 12

## SYMBOL DEFINITIONS



ReCoila is proudly Australian owned and operated. This symbol indicates the reel is Australian made.



Constructed from carbon steel. Optional extras include 304 stainless, 316 stainless or aluminium.



The reel is operated via a manual hand crank handle.



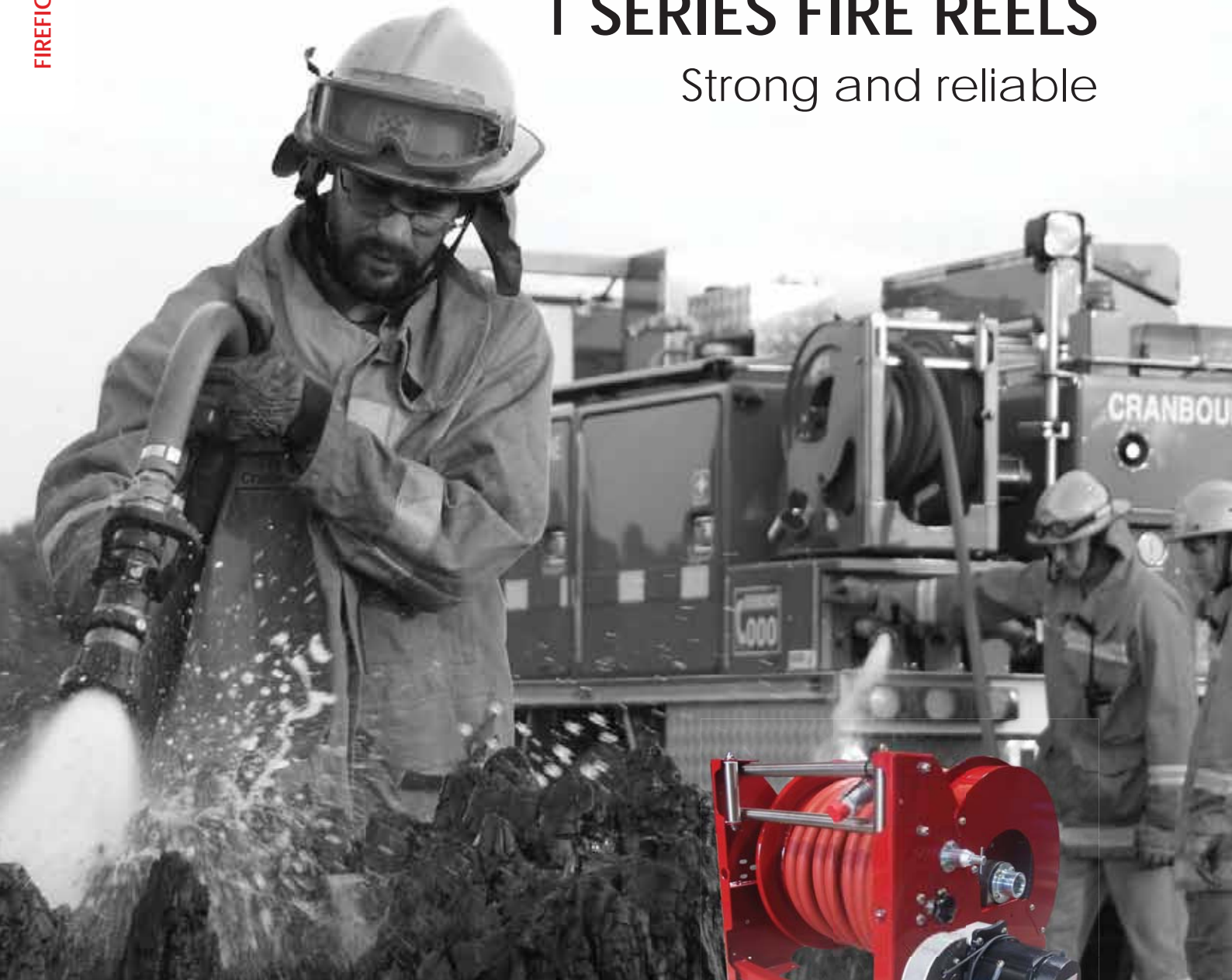
The reel is motor driven, using either an electric, pneumatic or hydraulic motor.



Additional options are available to customise the reel, such as roller guides, choice of swivels and surface finishes.

# T SERIES FIRE REELS

Strong and reliable



ReCoila's T Series fire reels are designed for absolute reliability, longevity and strength.

ReCoila has been supplying high quality hose reels to metro and country brigades for many years, and has developed and refined the T Series resulting in a hose reel that is strong, safe and ergonomically sound.

The latest model features an electromechanical clutch and speed reducer for enhanced performance in the field. All fire reels are completely customisable to your individual requirements - see page 7 for the full range of options.

## T SERIES FIRE HOSE REEL 2012 MODEL

### APPLICATION

ReCoila's latest fire hose reel comes with 60m of 1" hose and is fitted with an electromechanical clutch and speed reducer. The reel features:

- Free spooling rotation with extremely low spool torque
- Rewind speeds between 0.2m/s - 0.4m/s based on the 60m x 25mm spool capacity
- Electrically operated drive clutch, no cables or lever system
- Full flow 1-1/2" fluid path
- Heavy duty positive pin lock spool lock
- Direct drive spur gear & ring gear - no chain and sprockets to contend with
- Stainless steel four way rollers
- Auxiliary bevel crank can be engaged when needed and disengaged when not in use
- Adjustable independent friction brake
- High torque 500rpm explosion proof motors
- 3D drawings available to drop into your own projects

<b>HOSE TYPE</b>	As per your requirements - up to 300m depending on hose ID
<b>MEDIA</b>	Water, foam, CO <sub>2</sub>
<b>CONSTRUCTION MATERIALS</b>	Carbon Steel (standard) 304 Stainless Steel 316 Stainless Steel Aluminium
<b>MAX PSI</b>	Up to 10,000psi depending on your requirements



Reel with  
electromechanical  
clutch



Reel with  
level layer  
rewind system

### FEATURES



Standard construction material is carbon steel.

# BUILT TOUGH

## Standard T Series features

### Main axle

The main axle is machined from stainless steel to maintain strength and rigidity while preventing corrosion.

### Direct drive spur gear

The T series uses a direct drive method of gear to gear - reducing the maintenance costs associated with servicing chain drive systems.

### Fluid path risers

The unique design of the T series fluid path allows for a gradual tangent between the hose and the fluid path, reducing hose stress and flow restrictions at the connection point whilst keeping the layering neat and tidy.

### Heavy duty spool

The T series has a heavy duty welded spool allowing the hose to be wound on charged or uncharged, resisting the crushing effect of charging empty hoses on the reel.

### Welded frame

The design and construction of the welded frame offers superior strength and rigidity.

### Fasteners

All T series reels are furnished with high quality, high strength shake-proof stainless steel fasteners to ensure ease of maintenance and corrosion resistance.

### Rewind speeds

The T series rewind speeds have been designed to maintain acceptable and controlled rewinding of the hose while maintaining sufficient torque to rewind a fully charged hose.

### Stainless steel guides with ball bearings

The T series roller guides are made from tough corrosion resistant stainless steel fitted with two ball bearing press fit bearings each end to allow smooth friction free operation.



IMAGE: SEM FIRE & RESCUE



# CUSTOMISE YOUR T SERIES

## Extra options to mix and match

### Configurations

The T series can be configured with left or right hand operation, and top or bottom wind, allowing us to offer any number of configurations to suit your application.

### Construction materials

The T series construction and fluid paths are available in stainless steel, mild steel, or aluminium.

### Drive type

The T series reels are available with 12 or 24 VDC rewind motors, 240 VAC rewind motors, Hydraulic rewind, Pneumatic rewind, reduction drive bevel crank and hand crank options.

### Fluid paths and swivels

Full flow high volume 1-1/2" fluid paths are standard on all T series reels. Other fluid paths such as 2" and 3" are available on those respective models that are designed for 2" and 3" hose. Standard working pressures of 800 psi can be increased up to 10,000 psi on request.

### Bevel crank engage and disengage

Another unique feature of the T series is the ability to engage and disengage the bevel crank drive, this reduces wear on the drive system, noise and residual torque required to drive the traditionally engaged rewind system. The crank point has been designed to allow the operator to rotate the crank drive from different angles, up to 45° in any position, and is well suited to reels mounted in high positions where the crank needs to be easily accessible.

### Finishes

Fire reels are finished in a high quality baked on flame red powder coat, or can be hot dip galvanised. Custom powder coat colours are available on request.

### Friction brakes

The stand alone friction brake allows the operator to pre-set sufficient friction, preventing over spooling. Combination bevel crank friction brakes force the operators to continually adjust and readjust the friction brake to operate the bevel crank rewind.

### Remotely operated park / friction brake

When hose reels are mounted high on a vehicle, a remote controlled friction brake can be fitted to engage and disengage the brake from the ground.

### Level layer rewind

This is a mechanical layering system fitted in place of roller guides that moves back and forth dynamically as the hose is being wound on to the reel. The level layer rewind system ensures the hose is layered perfectly on to the reel every time.

### Swivel base

A swivel base can be added to allow a greater angle of rotation, allowing the reel to move freely as the operator pulls out the hose.

Reel with  
swivel base



## T SERIES STANDARD MODELS 12VDC & 24VDC MOTOR DRIVEN

### APPLICATION

The T Series reels form part of our standard range, and these common configurations feature either a 12VDC or 24VDC motor.

With all the features listed on page 6 such as strong 3mm steel plate construction, a heavy duty spool, fluid path risers, stainless steel fasteners, optimum rewind speeds and direct drive spur gears, these T Series models are perfect for both metro and rural pumper applications.



T SERIES FEATURES		12VDC EXP MOTOR DRIVEN		
		Catalogue code	Hose ID	Hose length
<b>STANDARD FEATURES</b>	Pin lock Top rollers 800psi swivel Flame red powdercoating	ET19580200	19	30
		ET19580450	19	60
<b>OPTIONAL EXTRAS</b>	Bottom rollers Friction brake 1500psi swivel* 4000psi swivel* 5000psi swivel* 10000psi swivel* Gear guard Reduction drive Auxiliary bevel crank Level layer rewind* Hot dip galvanizing Custom powdercoat colour	ET19580600	19	90
		ET25580400	25	30
		ET25580650	25	60
		ET25640500	25	65
		ET25640780	25	90
		ET25780300	25	60
		24VDC EXP MOTOR DRIVEN		
		Catalogue code	Hose ID	Hose length
		EAT19580200	19	30
		EAT19580450	19	60
EAT19580600	19	90		
EAT25580400	25	30		
EAT25580650	25	60		
EAT25640500	25	65		
EAT25640780	25	90		
EAT25780300	25	60		

\* Not available on all configurations, check with our technical sales team for compatibility.

Supplied without hose.

### FEATURES



## C SERIES STANDARD MODELS HAND CRANK, 12VDC & 24VDC MOTOR DRIVEN

### APPLICATION

Popular with the rural brigades, this simple but tough hose reel will handle a multitude of hose sizes, lengths and pressures.

A bolt together frame and spool offers easy access for maintenance and service as and when required.

The unique modular design of the C series also allows you to add or change drive systems in the field with a simple bolt-on feature.



### C SERIES FEATURES

<b>CONSTRUCTION MATERIALS</b>	Carbon Steel* 304 Stainless Steel 316 Stainless Steel Aluminium
<b>FINISH</b>	Powdercoated Galvanized
<b>STANDARD FEATURES</b>	Adjustable friction brake Positive-lock spool lock Flame red powdercoating
<b>OPTIONAL EXTRAS</b>	4 way roller guides Gear guard Friction brake Extra heavy duty wrap spreaders Wall mount swivel bracket Custom powdercoat colour

\*Standard construction material is carbon steel  
Supplied without hose.

### FEATURES



### HAND CRANK

Catalogue code	Hose ID	Hose length	PSI
C19480300	19	30	5000
C19480600	19	60	5000
C25480450	25	30	3000

### 12VDC EXP MOTOR DRIVEN

Catalogue code	Hose ID	Hose length	PSI
E19480300	19	30	5000
E19480600	19	60	5000
E25480450	25	30	3000

### 24VDC EXP MOTOR DRIVEN

Catalogue code	Hose ID	Hose length	PSI
EA19480300	19	30	5000
EA19480600	19	60	5000
EA25480450	25	30	3000

# ENGINEERED CONFIDENCE

## 30+ years manufacturing wisdom

ReCoila is committed to continued quality and engineering excellence, coupled with real-world practicality and constant improvement based on feedback from customers.

Our goal has always been to design the best reels in the world (and we think we're pretty close to the mark).

With teams of specialists for both steel and polypropylene production, we continue to lead the way in design, innovation, functionality and reliability.

### WE KNOW REELS – YOU KNOW YOUR BUSINESS

Whilst we've been building reels for over thirty years, we continue to learn and adapt to individual industry challenges in consultation with our customers.

Along with the Australian Fire Brigades, we've worked with the Australian Defence forces, major mining projects, salmon farms, oil rigs, plumbers, truck builders, marina developers and everyone in between.

Our collaborative approach has always resulted in a hose reel that is of the highest quality, whilst being simple, practical and effective for the people in the field who are actually operating it.

Our T Series fire reels have been tested in the field by firefighting personnel and have been refined and perfected based on feedback from firefighters.

## THE MAKING OF A CUSTOM MADE REEL



BUILT TOUGH FOR AUSSIE CONDITIONS.



# A SAFER WORKPLACE

## Hose management and minimising risk



### HAZARD:

DO HOSES REGULARLY LAY ACROSS PATHS AND WORK AREAS?



### HAZARD:

ARE HOSES GENERALLY HEAVY OR AWKWARD TO MOVE?



### HAZARD:

DO POORLY MANAGED HOSES CREATE WET, SLIPPERY WORK AREAS?



### HAZARD:

ARE HOSES BEING DAMAGED DUE TO POOR STORAGE?



### HOW HOSES BECOME HAZARDS

You're no doubt aware that trips, falls and ergonomic injuries are common in even the most strictly regulated work environments. Workplaces use hoses and cables for all manner of applications, each one carrying potential safety risks such as:

- Trips and falls due to stray hoses and cables
- Ergonomic injury if heavy, awkward hoses need to be moved
- Leakage (and consequently wet areas) causing slip hazards.

### HOSE LIFE CAN BE AFFECTED TOO

Hoses can be weakened by environmental contaminants, cleaning chemicals, being run over by work vehicles, or being bent or coiled tighter than the hoses natural bend radius, and will ultimately fail as the structure of the hose is weakened.

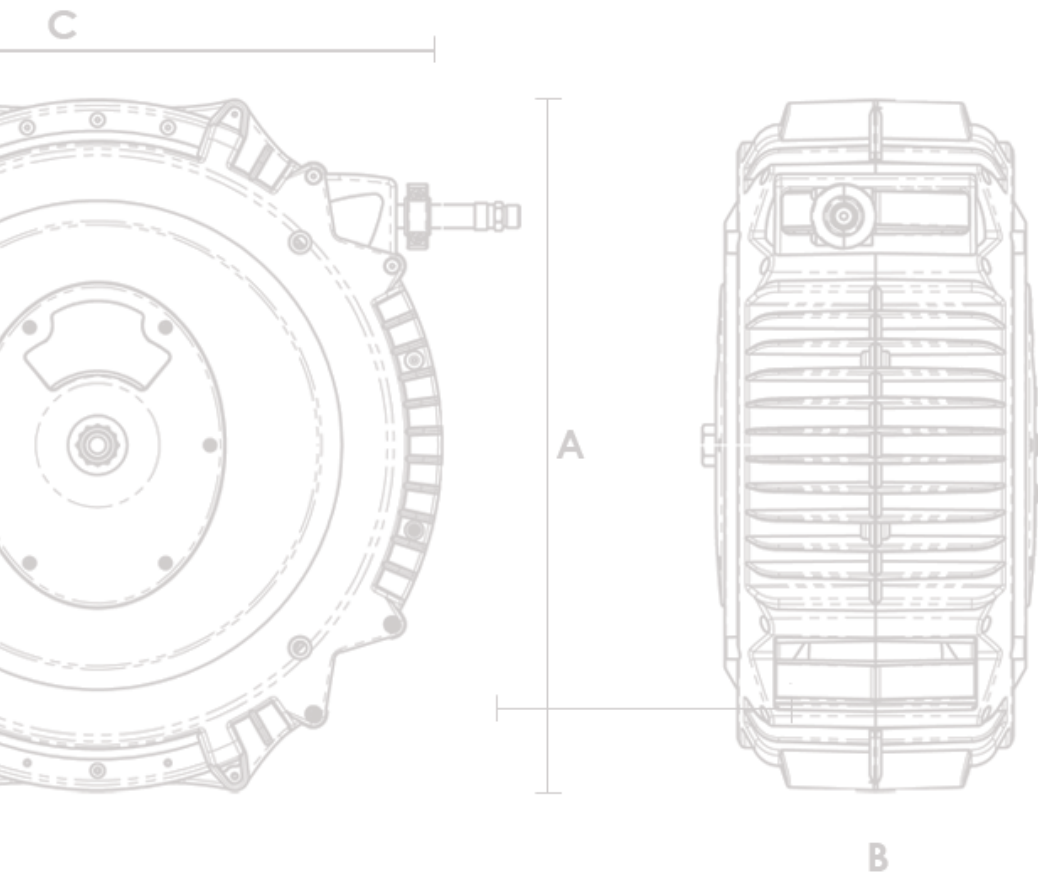
## THE SOLUTION – AND THE FLOW ON BENEFITS

ReCoila can offer a high quality hose and cable management solution that can reduce the risk of injury and improve your safety record.

Aside from making your workplace safer, the use of ReCoila hose reels will increase productivity through providing a more effective and ergonomically sound means of handling hoses in your workplace.

Higher productivity, reduced downtime and lower maintenance costs are an additional benefit of efficient hose management.

IMAGE: NSW RURAL FIRE SERVICE



## RECOILA AUSTRALIA

Unit 1/10 Melissa Place  
Kings Park NSW 2148  
Ph: +61 2 9621 8988  
Fx: +61 2 9621 7688  
sales@recoila.com.au  
www.recoila.com.au

## RECOILA NEW ZEALAND

Unit 1/A, 93 Ellice Road  
Glenfield, North Shore City 0629  
Ph: +64 9 441 0177  
Fx: +64 9 441 0178  
sales@recoila.co.nz  
www.recoila.co.nz

Scan with  
your smart  
phone or  
device to  
visit ReCoila  
online

