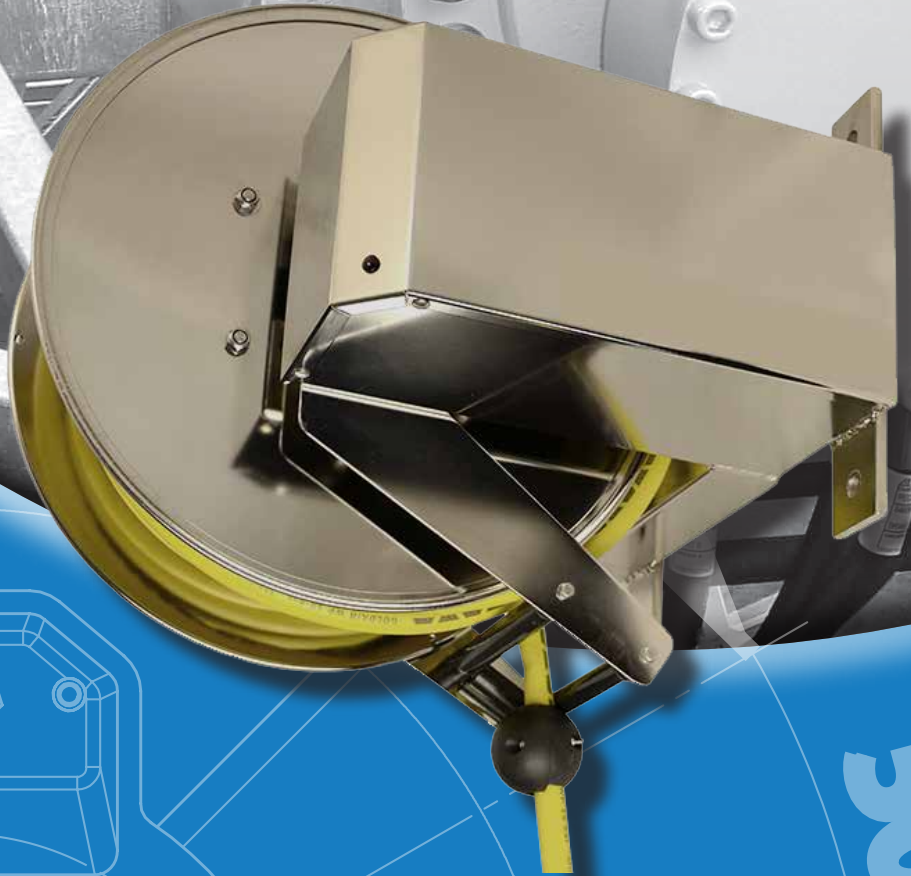




ReCoila

HOSE AND CORD REELS

ER SERIES Low torque controlled rewind reels



30°



HOSE REELS.

Our total, dedicated business.

We've been making hose reels for decades - over 38 years in fact - and this manufacturing wisdom, coupled with competitive pricing, knowledgeable staff, a wealth of technical information and solid after-sales service positions us firmly at the forefront of our industry.

Our head office and factory is based in Sydney Australia, with a well-stocked distribution centre in Auckland NZ, as well as reputable distribution partners across the globe.

ReCoila has a fully equipped production facility and a team of experts to ensure our reels are designed and manufactured to exacting standards.

With a comprehensive range of hose, cord and cable reels and a dedicated custom design and manufacturing team, ReCoila can supply the right reel for your individual application - with safety and productivity in mind.

AUSTRALIAN MANUFACTURING. INTERNATIONAL DISTRIBUTION.

ReCoila is a proudly Australian company based in Western Sydney, with distribution reach across Australia, New Zealand and internationally.

We have resellers strategically based in key metro and regional areas to ensure delivery to customers is as swift as possible, and long standing relationships with our freight carriers mean that logistics are coordinated efficiently.

AUSTRALIAN MADE + QUALITY IMPORTS = COMPREHENSIVE RANGE.

Our range constitutes a wealth of engineered polypropylene and heavy duty steel and stainless steel reels, supplemented with hand-picked reels from some of the world's best manufacturers, to present a truly comprehensive product portfolio. And, our ability to design and manufacture customised reels in-house means that we're sure to have a reel to suit your needs.



VISIT
RECOILA
ONLINE



SPECIALISTS IN CUSTOM REELS

38+ years manufacturing wisdom

ReCoila is committed to continued quality and engineering excellence, coupled with real-world practicality and constant improvement based on feedback from customers.

Our goal has always been to design the best reels in the world - and we think we're pretty close to the mark.

With teams of specialists for both steel and polypropylene production, we continue to lead the way in design, innovation, functionality & reliability.

WE KNOW REELS – YOU KNOW YOUR BUSINESS.

Whilst we've been building reels for over thirty years, we continue to learn and adapt to individual industry challenges in consultation with our customers.

We have worked with Australian and New Zealand fire brigades, Australian Defence forces, major international mining and resources projects, salmon farms, airports, oil rigs, gas exploration companies, plumbers, truck builders, food manufacturers, wineries, auto workshops, universities and electricity providers, and have built reels to transfer everything from clean air to cow dung.

Our collaborative approach has always resulted in a hose reel that is of the highest quality, whilst being simple, practical and effective for the people in the field who are actually operating it.

THE MAKING OF A CUSTOM HOSE REEL



ER SERIES

Low torque controlled rewind reels

FEATURES & BENEFITS

MOTOR & TORQUE LIMITER

Allows you to pull out the hose with a constant low retraction force and to adjust optimal tension according to the weight of the hose you are using. Saves the motor as the torque limiter simply slips if the hose is restrained. Motor will then be switched off in a second or two.

240VAC - 24VDC TRANSFORMER

The ER Series reels are driven by heavy duty 24VDC motors that can be powered from standard batteries or from a 240VAC power supply with the transformer option.

ELECTRONIC LATCH SYSTEM

Pull out the exact length you need and stop. It's as easy as that. There are no moving mechanical parts so you don't have to search for the locking position. Hold the hose still for a second and the light turns off, confirming the motor is switched off.

CIRCUIT BOARD

The intelligence in the ER Series, the circuit board controls the functions of the motor through signals from a sensor on the side of the reel. Ready to accept both switch & remote control systems. An enclosed circuit board is standard on all Stainless Steel models, allowing the reel to be used in very wet and humid environments.



STAINLESS STEEL SHAFT & SWIVEL

Standard on all reels. No corrosion means less leakages and less maintenance.

REMOTE CONTROL

You can connect the remote control directly to the circuit board. Allows you to control not only the rewinding and unwinding of the reel but also a number of other functions. Turning the media on/off, change of pressure. Mount the reel in the ceiling and call down the hose.

SWITCH CONTROL

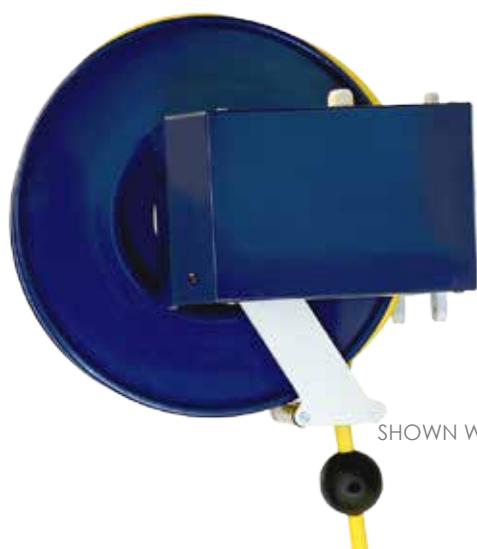
Connect a switch control to the circuit board and you can control rewinding and unwinding of the reel by simply pressing the button. Perfect when mounting the reel in the ceiling. Also available in an adjustable version allowing you to preset the hose length you require, eliminating tension completely.

ER SERIES ELECTRONICALLY CONTROLLED REELS

APPLICATION

These reels are well suited to assembly lines and repetitive processes where ergonomic and manual handling issues are present.

The ER Series features a constant low retraction speed for safer rewind and an enclosed circuit board allowing the reels to be used in wet and humid environments.



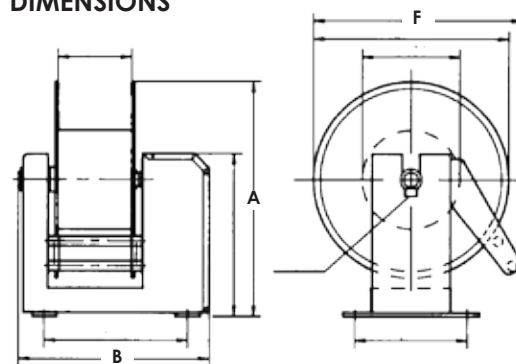
ER1200
SHOWN WITH HOSE

HOSE TYPE	Supplied with or without hose
MEDIA	Air, water, oil, grease
MAX PRESSURE	220 bar
CONSTRUCTION MATERIAL	Steel, 304 Stainless Steel
FINISH	Powder Coated

FEATURES



DIMENSIONS



	1200	1300	1500
A	376	478	628
B	302	390	455
F	365	430	550

ER SERIES POWDER COATED

Model	Hose ID Capacity (m)				Working Pressure (bar)
	10mm	12mm	19mm	25mm	
ER1200	10	8	-	-	220
ER1300	20	15	-	-	220
ER1500	30	25	40	15	220

ER SERIES STAINLESS STEEL

Model	Hose ID Capacity (m)				Working Pressure (bar)
	10mm	12mm	19mm	25mm	
ER1300-SS4	20	15			220
ER1500-SS4	30	25	40	15	220

STAY IN TOUCH

News and updates



RECOILA ON LINKED IN
[linkedin.com/company/
recoila-hose-and-cord-reels](https://www.linkedin.com/company/recoila-hose-and-cord-reels)



JOIN OUR MAILING LIST
Visit recoila.com.au and click
GET UPDATES in the main menu



LIKE US ON FACEBOOK
[facebook.com/Recoila](https://www.facebook.com/Recoila)



VISIT OUR WEBSITE
recoila.com.au

LEARN MORE



RECOILA AUSTRALIA - HEAD OFFICE
Unit 1/10 Melissa Place
Kings Park NSW 2148
Australia

Phone +61 2 9621 8988
Fax +61 2 9621 7688
sales@recoila.com.au

RECOILA NEW ZEALAND
18 Maui Street, Pukete
Hamilton 3200
New Zealand

Phone +64 7 847 4111
Fax +64 7 847 4112
sales@recoila.co.nz

www.recoila.com.au

www.recoila.co.nz

VISIT
RECOILA
ONLINE

